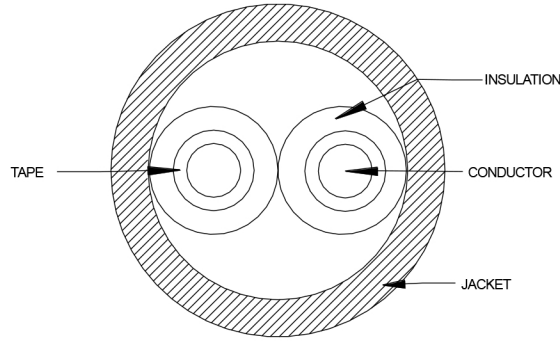


16 AWG 2-Conductor VITALink® Non-Shielded Circuit Integrity Cable



1. Construction:

- 1.1. Conductors: 16 AWG Solid Bare Copper , 0.0508”
Nominal Diameter
- 1.2. Tape: Flame Retardant Tape
- 1.3. Insulation: Low Smoke Zero Halogen Thermoset
Fire-Roc™ 0.128” Nominal Diameter &
0.029” Nominal Wall Thickness
- 1.4. Color Code: Red, Black
- 1.5. Cable Assembly: Cable (2) Conductor 4.5” Nominal LHL
Non Halogen Flame Retardant Polyolefin
Compound, Nominal Overall Diameter,
0.321”, Nominal Wall Thickness 0.034”
Color: RED

1.7. Jacket Print:

COMTRAN CABLE LLC LSZH VITALink® FPLR-
CI-LS CMR-CI-LS CL3R-CI-LS 2/C 16AWG 105C
SUN RES WET FRR-2HR FOR USE IN FHIT
SYSTEM 40A & FHIT7 SYSTEM 40A MAX
VOLTAGE 72V ULC-S139 W/HOSE STREAM OR
CSA FAS105 PN35777 (MMYY) 000002 (01-12345)


NOTE: MMY is 4 Digit Month/Year
Sequential Footage Markings Every Two Feet

2. Compliance:

- 2.1. (UL) Listed Type FPLR-CI-LS
- 2.2. (UL) Listed Type CMR-CI-LS
- 2.3. (UL) Listed CL3R-CI-LS/PLTC-CI-LS
- 2.4. CSA Listed FAS 105
- 2.5. UL Subject 1424 Power Limited Fire Alarm Circuits;
300V/105°C Classified
- 2.6. UL Subject 13 Power Limited Circuit Cables; 300V/105°C
Classified
- 2.7. UL Subject 444 Communications Cable; 300V/105°C
Classified
- 2.8. ANSI/UL 2196 2-Hour Fire Rating for use in FHIT System
40A
- 2.9. CAN/ULC-S139 2-Hour Fire Rating with Hose Stream for
use in FHIT7 System 40A
- 2.10. NFPA 70 & 72
- 2.11. California State Fire Marshal Approved
- 2.12. NYC Electrical Advisory Board #54502, April 2017
- 2.13. RoHS Compliant

3. Physical Characteristics:

- 3.1. Nominal Conductor DCR @ 68F: 4.09 Ω
- 3.2. Nominal Weight per 1000 FT: 52 Lbs.
- 3.3. Min Bend Radius: 3”
- 3.4. Maximum Pull Tension – Straight runs: 41 Lbs/ft.

Part No:		Title:			
2HR-35777		Comtran VITALink 2 Hour Fire Resistant Cable, 16 AWG, Solid,			
Rev	Date	Detail	Eng.	App.	
07	05/24/18	FAS 90 to 105	PB	WC	ECN 18-067
06	09/29/17	UPDATE LEGEND	PB	RN	ECN 17-1000
05	08/08/17	Updated to current format; added listings	PB	RN	
04	09/0716	Updated specification	PB	RN	

Comtran Cable LLC Reserves the right to change the information above without prior notification. Comtran Cable LLC assumes no risk, and is not liable for direct or indirect, or consequential damages, resulting from the use of this document